



## Linea LED "arredi"

Linea LED "Arredi" en versión mini, apropiada para la instalación en techos y superficies verticales con LED.

Cuerpo: perfil de aluminio extrudido con pantalla en pc opalescente.

Equipamiento: con muelles de cinta (un muelle de cada 500mm).

22010671-00 1210mm (Cut 1212x19mm)

22010672-00 1210mm (Cut 1212x19mm)

22010673-00 2410mm (Cut 2412x19mm)

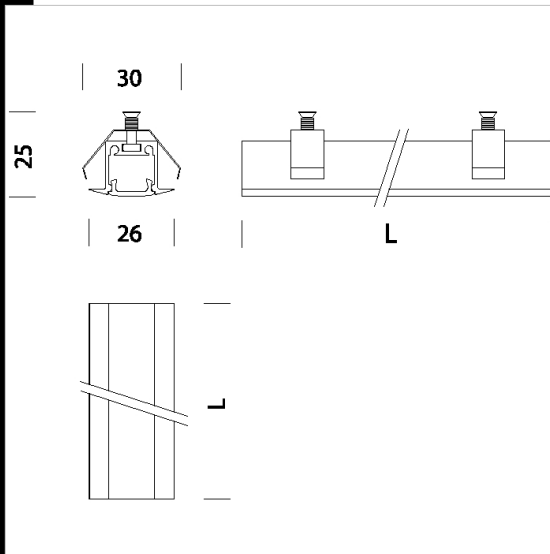
22010670-00 2410mm (Cut 2412x19mm)

### Download

DXF 2D  
- linled.dxf

Montaggi  
- LINEA\_LED\_ARREDI rev5.pdf

BIM  
- Linea LED arredi - 20200224.zip



Code	Gear	Kg	Lumen Output-K-CRI	WTot	Colour
22010671-00	CLD S+L	0,36	LED-3000lm-3000K-CRI>90	32 W	OXIDADO
22010672-00	CLD S+L	0,35	LED-3000lm-4000K-CRI>90	28 W	OXIDADO
22010673-00	CLD S+L	0,52	LED-6000lm-3000K-CRI>90	63 W	OXIDADO
22010670-00	CLD S+L	0,65	LED-6000lm-4000K-CRI>90	56 W	OXIDADO

### Accessori



- Tapa de cierre - Linea LED



- IP20 Driver - V in 100-277V



- IP20 Driver DIMM DALI - V in 220-240V 0/50/60Hz - V out 24V



- IP20 Driver - V in 120-277V



- IP20 Driver DIMM DALI - V in 220-240V 0/50/60Hz - V out 24V DC

The reported luminous flux is the flux emitted by the light source with a tolerance of  $\pm 10\%$  compared to the indicated value. The W tot column indicates the total wattage absorbed by the system without exceeding 10% of the indicated