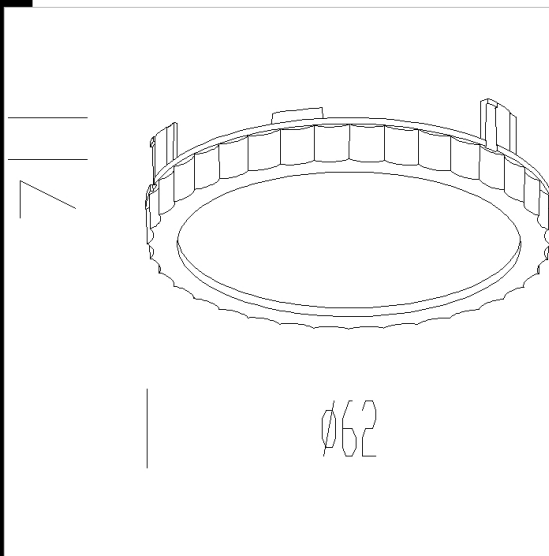


## Filtro cristalería GiOtto

Filtros especiales para valorizar la mercadería en exposicin.



Code	Kg	WTot
22005890-00	0,20	0 W

### Prodotti



- GiOtto 4 x ar111 Suspension

Download  
DXF 2D  
- g8filt.dxf

The reported luminous flux is the flux emitted by the light source with a tolerance of  $\pm 10\%$  compared to the indicated value. The W tot column indicates the total wattage absorbed by the system without exceeding 10% of the indicated