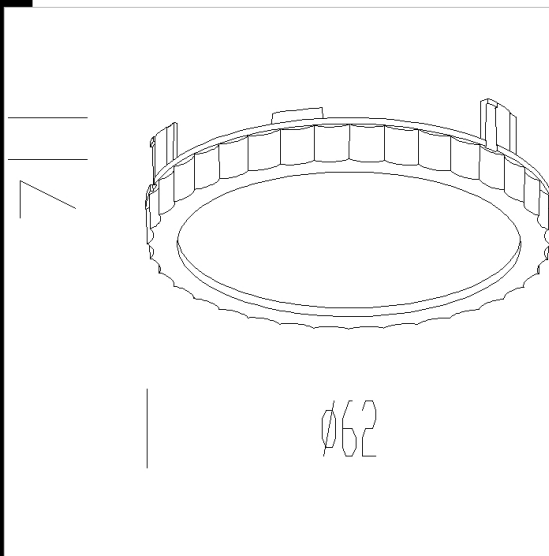


Filtro para tejidos GiOtto

Filtros especiales para valorizar la mercadería en exposición.



Code	Kg	WTot
22005888-00	0,20	0 W

Prodotti



- GiOtto 4 x ar111 Suspension

Download

DXF 2D
- g8filt.dxf

The reported luminous flux is the flux emitted by the light source with a tolerance of $\pm 10\%$ compared to the indicated value. The W tot column indicates the total wattage absorbed by the system without exceeding 10% of the indicated