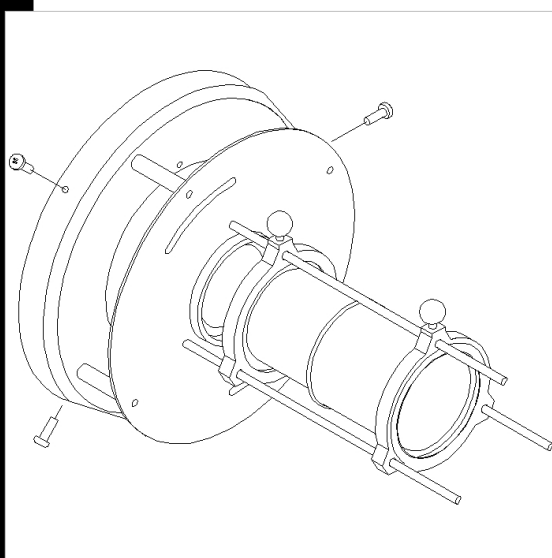


## Sagomatore piccolo



Code	Kg	WTot	Colour
22005862-00	0,30	0 W	NEGRO

### Prodotti



- Vision D+N - CDM70 - FM -



- Vision D+N - CDM70 - FM -



- Vision E+N - FM - Base



- Vision E+N - FM - Adaptador



- Vision E+N - FL - Adaptador Universal



- Vision D+N - CDM70 - FL - Adaptador Universal



- Vision D+N - CDM70 - FL - Base



- Vision E+N - FL - Base



3° IP  
IK

### Download

DXF 2D  
- 5862.dxf

The reported luminous flux is the flux emitted by the light source with a tolerance of  $\pm 10\%$  compared to the indicated value. The W tot column indicates the total wattage absorbed by the system without exceeding 10% of the indicated