

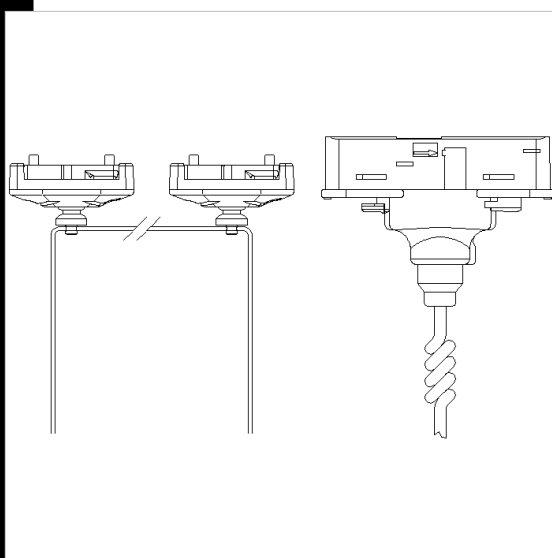
Download

DXF 2D
- g8kssp.dxf



KIT para suspensión con cable en espiral

Con 2 adaptadores mecánicos, 1 adaptador eléctrico, cable de acero, cable espiralado y ajustemilimétrico.



Code	Kg	WTot	Colour
22005876-00	0,46	0 W	GRIS
22005886-00	0,50	0 W	BLANCO
22005806-00	0,44	0 W	NEGRO

Prodotti



- GIOtto 4 x ar111 Suspension

The reported luminous flux is the flux emitted by the light source with a tolerance of $\pm 10\%$ compared to the indicated value. The W tot column indicates the total wattage absorbed by the system without exceeding 10% of the indicated