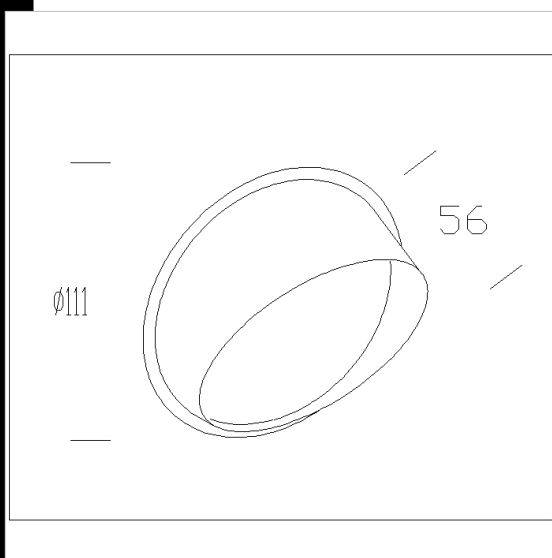


Difusor

Encanala el hazluminoso hacia una nica direccin.



Code	Kg	WTot	Colour
22005477-00	0,14	0 W	PLATA

Prodotti



- Compendio carril



- Compendio 1



- Compendio AR doble



- Compendio AR singolo



- Compendio



- Compendio - COB



- Compendio LED111

The reported luminous flux is the flux emitted by the light source with a tolerance of $\pm 10\%$ compared to the indicated value. The W tot column indicates the total wattage absorbed by the system without exceeding 10% of the indicated