

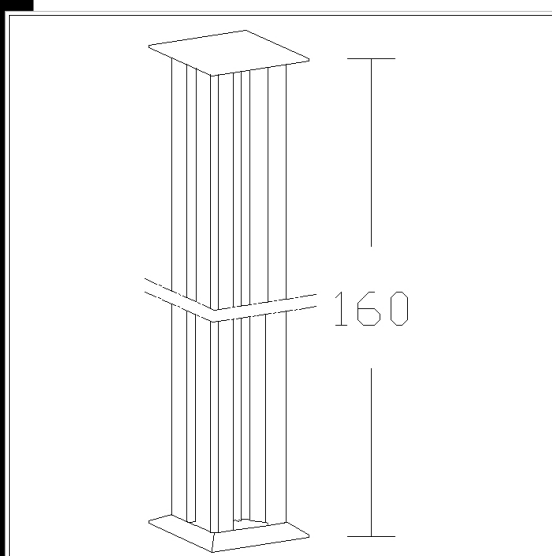
Download

DXF 2D
- 5476.dxf



Soporte vertical Compendio

Soporte vertical dealuminio. Incluye empalme para Compendio y base a fijar al piso.



Code	Gear	Kg	WTot	Colour
22005476-00	CN	3,50	0 W	OXIDADO

Prodotti



- Compendio AR singolo



- Compendio

The reported luminous flux is the flux emitted by the light source with a tolerance of $\pm 10\%$ compared to the indicated value. The W tot column indicates the total wattage absorbed by the system without exceeding 10% of the indicated