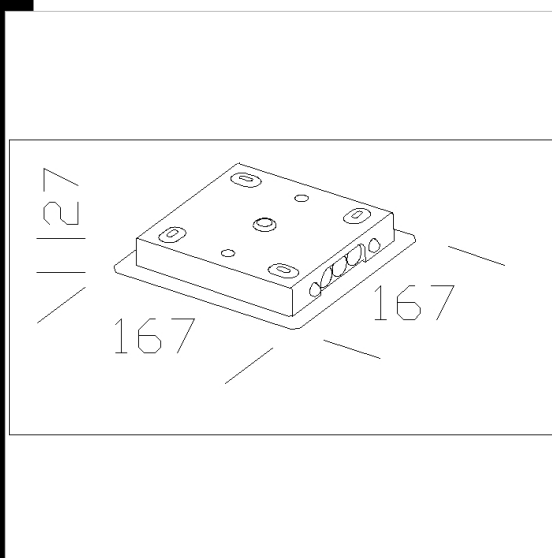


Caja de derivación

Se aconseja para la aplicacin a la pared/techo en composicin mltiple o individual. Incluye borne para la conexin elctrica. Enganche a presin.



Code	Kg	WTot	Colour
22005473-00	0,85	0 W	PLATA

Prodotti



- Compendio AR doble



- Compendio - COB



- Compendio AR singolo

The reported luminous flux is the flux emitted by the light source with a tolerance of $\pm 10\%$ compared to the indicated value. The W tot column indicates the total wattage absorbed by the system without exceeding 10% of the indicated