



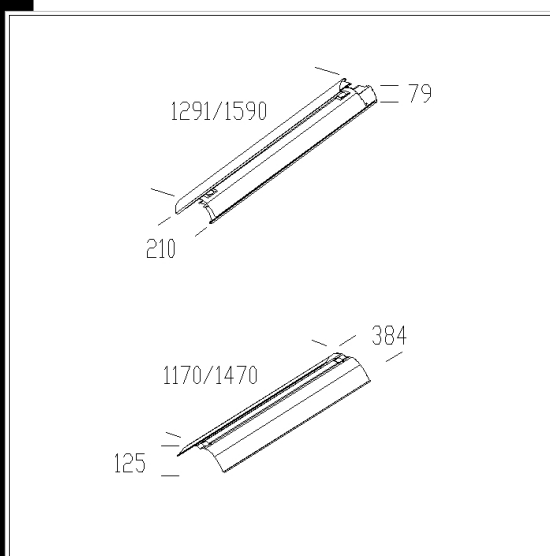
Download

DXF 2D
- d969.dxf



969 reflector intensivo para art. 981

Mayor iluminacion y orientacion de la luz. Reflector de aluminio especular 99,85, montado sobresoporte de acero barnizado blanco. Tapas de ABS. Aplicaciones:almacenes con pasillos altos y estrechos.



Code	Kg	Lumen-K-CRI	WTot	Base	Colour
166569-00	0,24	FL 2x49---	0 W	G5	ALUMINIO
166567-00	2,65	FL 1x49---	0 W	G5	ALUMINIO
166558-00	2,17	FL 1x36-3350lm-4000K-Ra 1b	0 W	G13	ALUMINIO
166561-00	0,24	FL 2x58-5200lm-4000K-Ra 1b	0 W	G13	ALUMINIO
166566-00	2,17	FL 1x28---	0 W	G5	ALUMINIO
166568-00	0,29	FL 2x28---	0 W	G5	ALUMINIO
166559-00	2,65	FL 1x58-5200lm-4000K-Ra 1b	0 W	G13	ALUMINIO
166560-00	0,29	FL 2x36-3350lm-4000K-Ra 1b	0 W	G13	ALUMINIO

Prodotti



- 981 Lunar T8

The reported luminous flux is the flux emitted by the light source with a tolerance of $\pm 10\%$ compared to the indicated value. The W tot column indicates the total wattage absorbed by the system without exceeding 10% of the indicated