



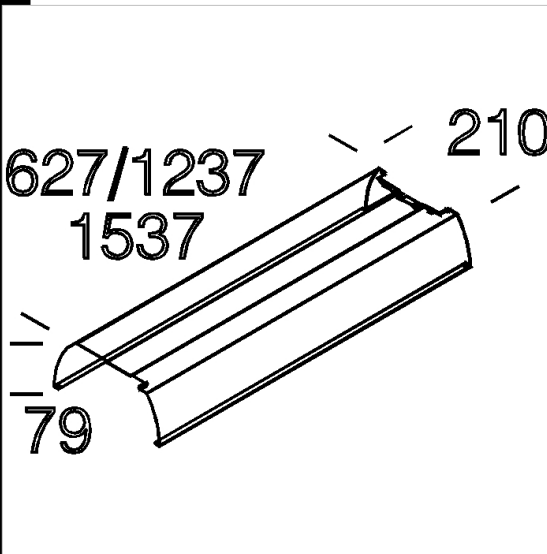
Download

DXF 2D
- d968.dxf



968 reflector alluminio

MEJOR CONTROL DE LALUZ Y MS ILUMINACIN.De aluminio especcular99,85, brillante.



Code	Kg	Lumen-K-CRI	WTot	Colour
166556-00	1,44	FL 1/2x36---	0 W	ALUMINIO
166564-00	1,44	FL 1/2x28---	0 W	ALUMINIO
166557-00	1,66	FL 1/2x58---	0 W	ALUMINIO
166565-00	1,66	FL 1/2x49---	0 W	ALUMINIO

Prodotti



- 981 Lunar T8

The reported luminous flux is the flux emitted by the light source with a tolerance of $\pm 10\%$ compared to the indicated value. The W tot column indicates the total wattage absorbed by the system without exceeding 10% of the indicated