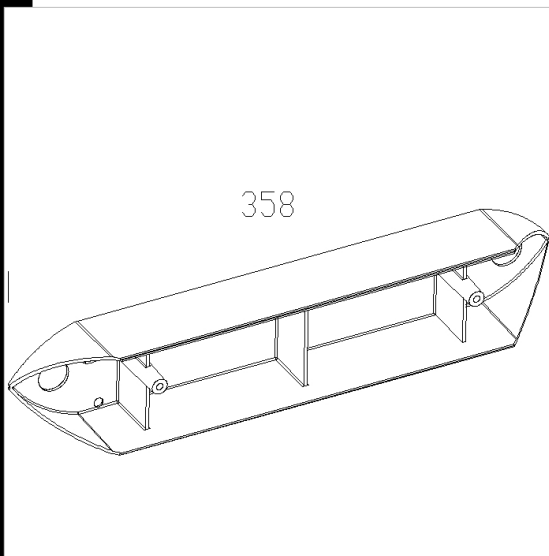


524 Tapa final - Zenith

Que utilizar para cerrar los componentes de los cubos no ocupados por el art. Zenith. Caja que contiene una pieza.

Download

DXF 2D
- 524.dxf



Code	Kg	WTot	Colour
145695-00	0,15	0 W	ANTRACITA
145688-00	0,15	0 W	BLANCO
145687-00	0,25	0 W	GREY

Prodotti



- 3845 Zenith T5 - diffusor



- 522 Zenith - Cube whit



- 3843 Zenith T5 - optica

The reported luminous flux is the flux emitted by the light source with a tolerance of $\pm 10\%$ compared to the indicated value. The W tot column indicates the total wattage absorbed by the system without exceeding 10% of the indicated