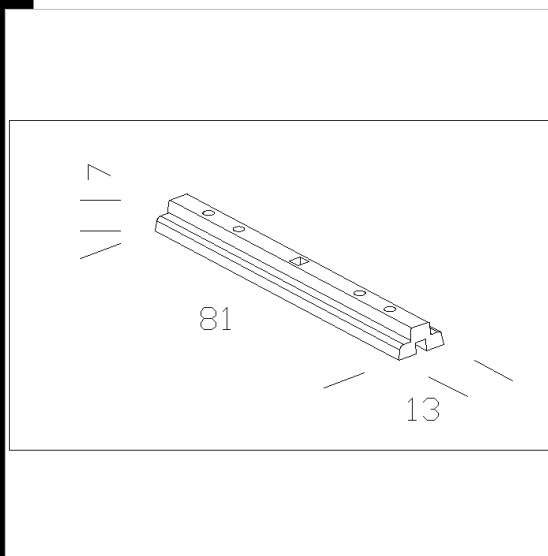
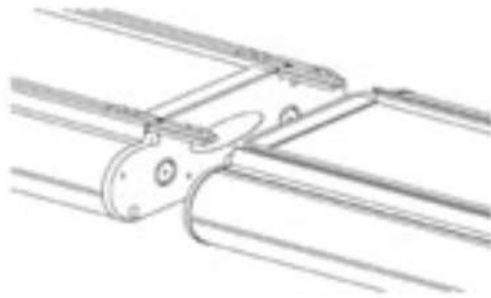


2290 acoplamiento lineal

Para unin lineal



Code	Kg	WTot	Colour
143997-00	0,09	0 W	NATURAL

Prodotti



- 3877 Channel - luz directa



- 3878 Channel - luz directa -



- 2233 Giano 2 T5 - bilámpara

The reported luminous flux is the flux emitted by the light source with a tolerance of $\pm 10\%$ compared to the indicated value. The W tot column indicates the total wattage absorbed by the system without exceeding 10% of the indicated