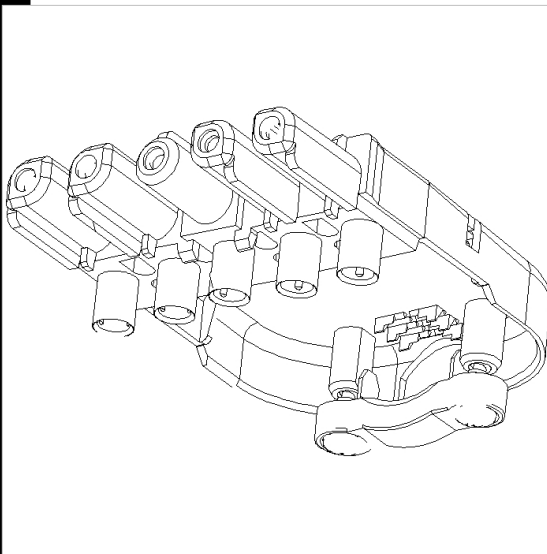
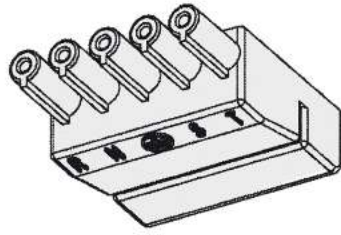


6091 alimentazione

Utilizar siempre para la alimentacin del carril. Conductores de una seccin mx. admitida de 2,5 mm<sup>2</sup>.

Download

DXF 2D  
- d6091.dxf



Code	Kg	WTot	Colour
132947-00	0,02	0 W	BLANCO

The reported luminous flux is the flux emitted by the light source with a tolerance of  $\pm 10\%$  compared to the indicated value. The W tot column indicates the total wattage absorbed by the system without exceeding 10% of the indicated