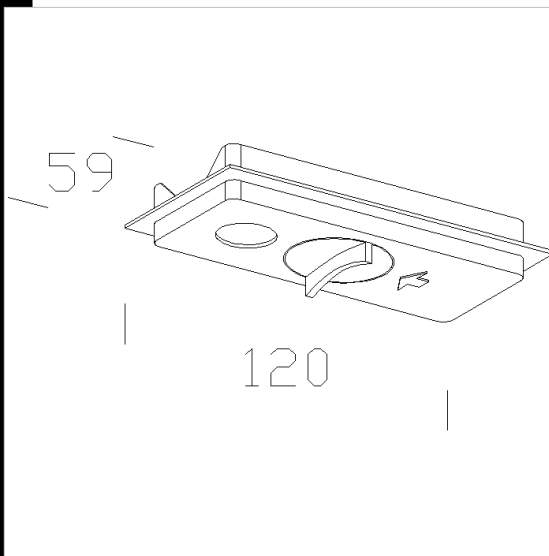


6099 caja de derivación

De policarbonato autoextinguible. Permite el enganche rpido al carril con sujetador de cable para el paso de corriente para todos los aparatos Disano.



Code	Kg	WTot	Colour
132946-00	0,08	0 W	GRIS

Download
DXF 2D
- d6099.dxf

The reported luminous flux is the flux emitted by the light source with a tolerance of $\pm 10\%$ compared to the indicated value. The W tot column indicates the total wattage absorbed by the system without exceeding 10% of the indicated