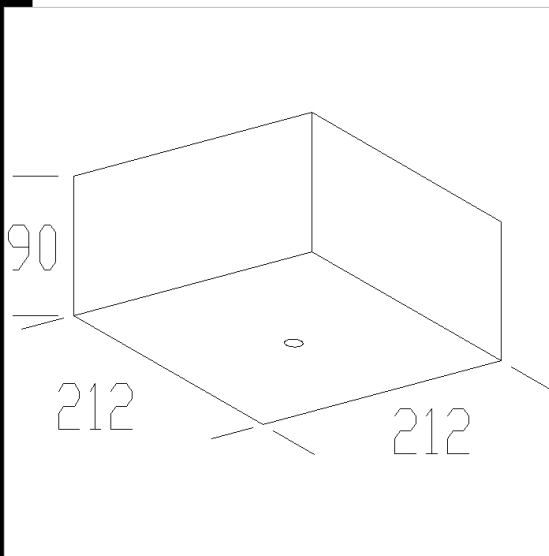


6080 caja

De acero blanco. Para evitar la interrupción en la unión o entre aparatos de la serie Rapid System con reflector.



Code	Kg	WTot	Colour
132916-00	1,38	0 W	BLANCO

Download

DXF 2D
- 6080.dxf

The reported luminous flux is the flux emitted by the light source with a tolerance of $\pm 10\%$ compared to the indicated value. The W tot column indicates the total wattage absorbed by the system without exceeding 10% of the indicated