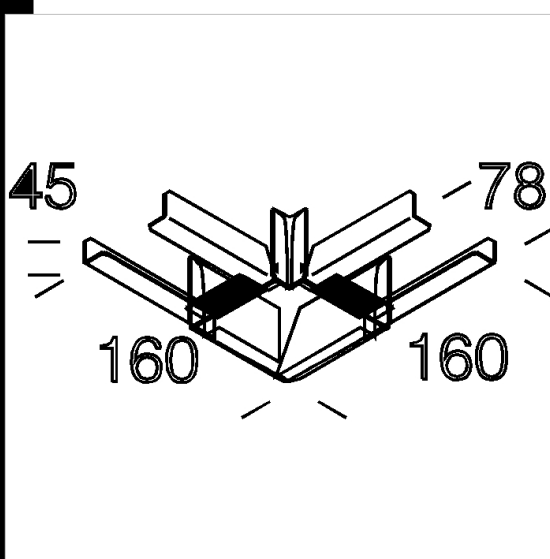
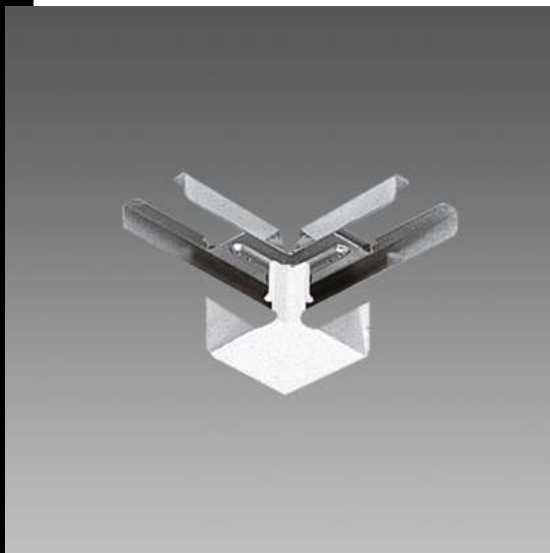


6015 unión angular

De acero cincado, con cobertura de material termoplástico blanco. Para la unión en L de 2 carriles. Utilizar conjuntamente con el acc. 6621.

Download

DXF 2D
- d6015.dxf



Code	Kg	WTot	Colour
132903-00	0,26	0 W	BLANCO

Prodotti

	- 6000 Rapid System - carril		- 6502 Rapid system -		- 6402 Rapid system -		- 6600 Techno System -
	- 6601 Techno System - asimétrico 25° - CRI 90		- 6602 Techno System - bi-asimétrico 25° - CRI 90		- 6603 Techno System - elíptico 30°x80° - CRI 90		- 6604 Techno System - extensivo 60° - CRI 90
	- 6605 Techno System - extensivo difusor semiesférico - CRI 90		- 6600 Techno System - simétrico 90° - CRI 80		- 6601 Techno System - asimétrico 25° - CRI 80		- 6602 Techno System - bi-asimétrico 25° - CRI 80
	- 6603 Techno System - elíptico 30°x80° - CRI 80		- 6606 Techno System HE - UGR - CRI 80		- 6611 Techno System HE - simétrico 90° - CRI 80		- 6615 Techno System HE - extensivo 60° - CRI 80
	- 6614 Techno System HE -		- 6612 Techno System HE -		- 6613 Techno System HE - bi-		- 6616 Techno System HE - extensivo difusor semiesférico -
	- 6617 Techno System HE - 90° Opal symmetric - CRI 80						

The reported luminous flux is the flux emitted by the light source with a tolerance of ± 10% compared to the indicated value. The W tot column indicates the total wattage absorbed by the system without exceeding 10% of the indicated