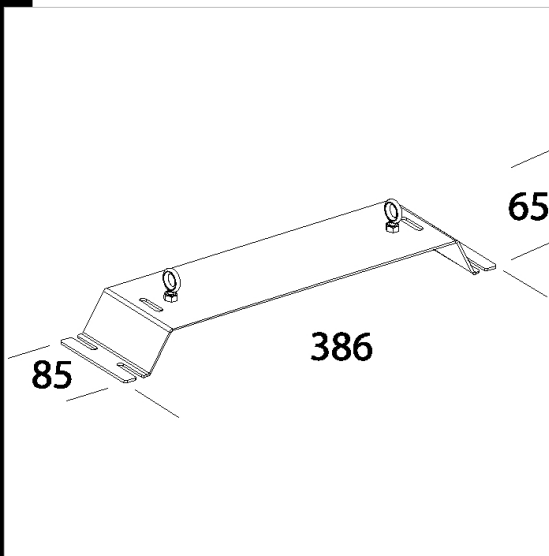
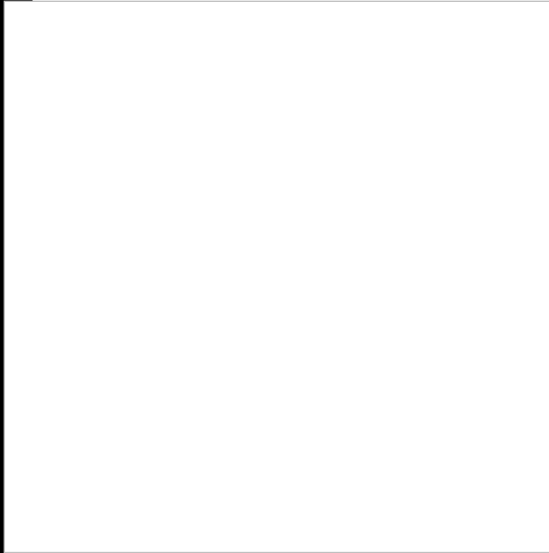


534 Bracket - Modoled

Download

DXF 2D
- 534.dxf



Code	Kg	WTot	Colour
998101-00	1,14	0 W	STAINLESS STEEL

Prodotti



- 3250 Modoled LED

The reported luminous flux is the flux emitted by the light source with a tolerance of $\pm 10\%$ compared to the indicated value. The W tot column indicates the total wattage absorbed by the system without exceeding 10% of the indicated