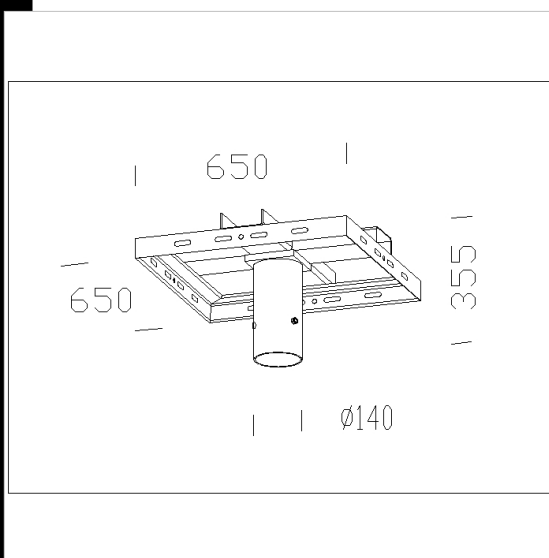
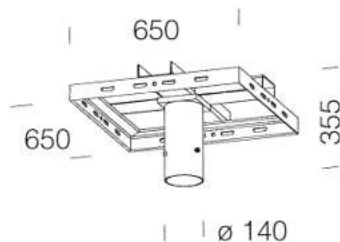


163 steel pole unit

To be used when installing the product on tapered poles (articles 1491/92/93/94), to install up to 4 art. 1714.
To be used with poles Ø 120.

Download

DXF 2D
- 163.dxf



Code	Kg	WTot	Colour
998094-00	20,00	0 W	GALVANIZED

Prodotti



The reported luminous flux is the flux emitted by the light source with a tolerance of ± 10% compared to the indicated value. The W tot column indicates the total wattage absorbed by the system without exceeding 10% of the indicated