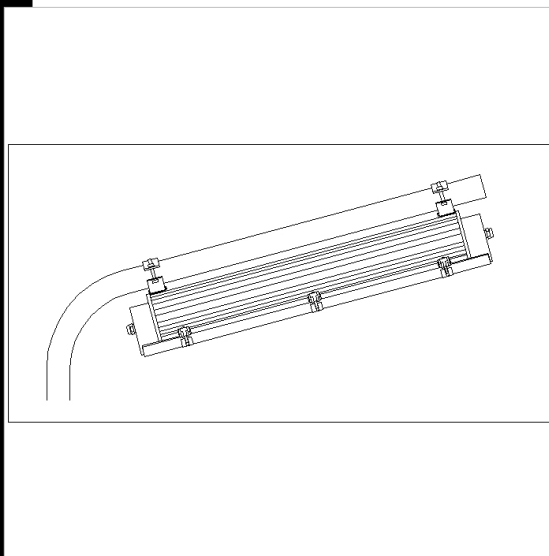


**Download**

DXF 2D  
- 157.dxf



Code	Kg	WTot	Colour
998091-00	0,94	0 W	STAINLESS STEEL

**Prodotti**



- 1166 Radon - Fluorescent

The reported luminous flux is the flux emitted by the light source with a tolerance of  $\pm 10\%$  compared to the indicated value. The W tot column indicates the total wattage absorbed by the system without exceeding 10% of the indicated