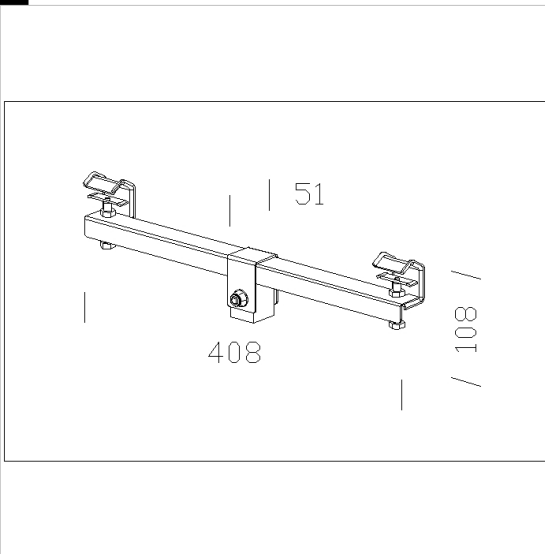
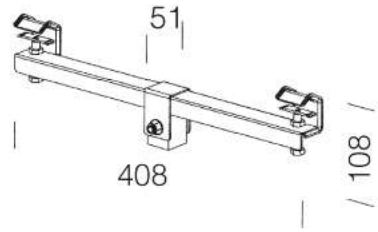




160 suspension unit

In stainless steel. For installation on ropes and steel cables.



Code	Kg	WTot	Colour
998090-00	0.06	0 W	STAINLESS STEEL

Products



The reported luminous flux is the flux emitted by the light source with a tolerance of  $\pm 10\%$  compared to the indicated value. The W tot column indicates the total wattage absorbed by the system without exceeding 10% of the indicated