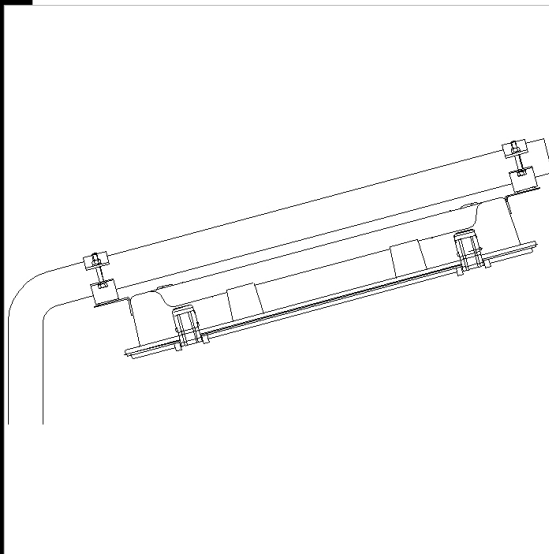
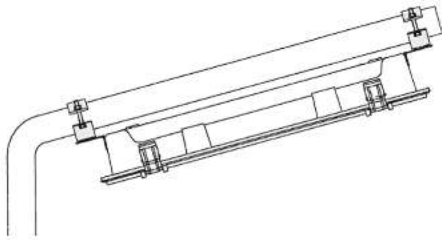


133 - coupling for 60 diam. tubes

Used to fit fixtures to 60 diam. tubes. To be mounted on the brackets supplied.

Download

- DXF 2D
- acc133.dxf
- Montaggi
- acc_133.pdf



Code	Kg	WTot	Colour
998088-00	0,60	0 W	STAINLESS STEEL

Prodotti



- 998 Eterna -stainless



- 990 Steel T8 - steel+glass



- 992 Eterna T8 - stainless



- 989 Eterna T8 - stainless



- 992 Eterna -T5 Diffusor in tempered glass



- 991 Steel T8 - steel+polycarbonate



- 991 Steel T5 - steel+polycarbonate



- 990 Steel T5 - steel+glass



- 989 Eterna T5 - stainless steel+polycarbonate

The reported luminous flux is the flux emitted by the light source with a tolerance of $\pm 10\%$ compared to the indicated value. The W tot column indicates the total wattage absorbed by the system without exceeding 10% of the indicated