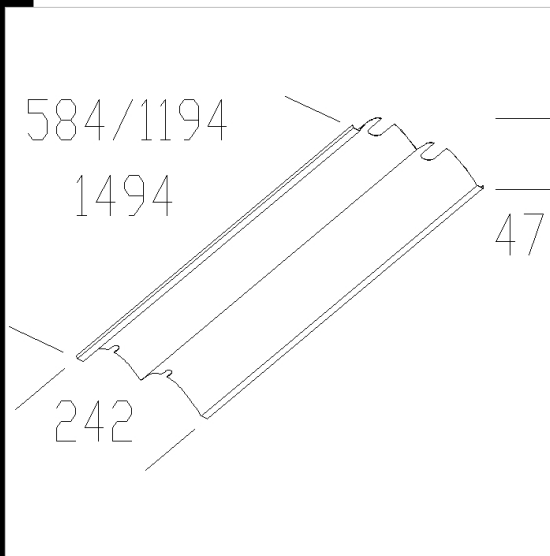
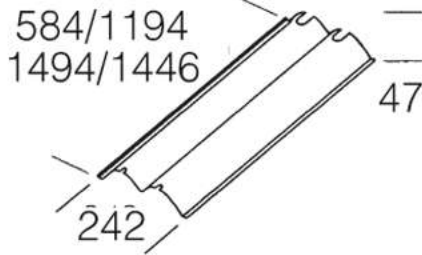




945 - narrow beam 2-lamp reflector

In polished aluminium to be fitted to the steel reflector already supplied on the fixtures. To be used only for 2-lamp versions.



Code	Kg	Lumen-K-CRI	WTot	Colour
998089-00	0.06	2x80---	0 W	ALUMINIUM
998085-00	0.05	2x18---	0 W	ALUMINIUM
998087-00	0.06	2x58---	0 W	ALUMINIUM
998086-00	0.05	2x36---	0 W	ALUMINIUM

Products



- 990 Steel T8 - steel+glass



- 992 Eterna T8 - stainless



- 989 Eterna T8 - stainless



- 992 Eterna -T5 Diffusor in



- 992 EL Eterna - protection "nA" + "1c"



- 991 Steel T8 - steel+polycarbonate



- 991 Steel T5 - steel+polycarbonate



- 990 Steel T5 - steel+glass



- 989 Eterna T5 - stainless steel+polycarbonate

The reported luminous flux is the flux emitted by the light source with a tolerance of ± 10% compared to the indicated value. The W tot column indicates the total wattage absorbed by the system without exceeding 10% of the indicated