

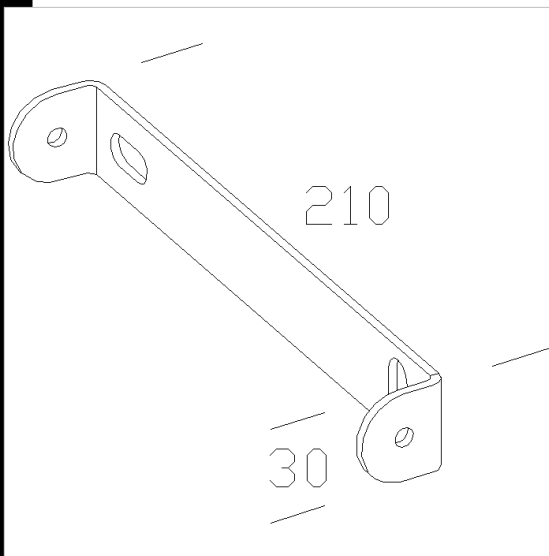
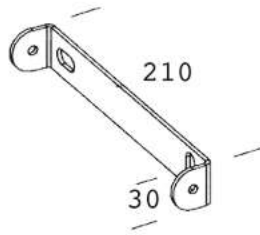


352 bracket

Bracket for single and double frames (330/331).

Download

- DXF 2D
- 352.dxf
- 3DS
- disano_352.3ds
- 3DM
- disano_352.3dm



Code	Kg	WTot	Colour
998080-00	0.19	0 W	STAINLESS STEEL

Products



- 3130 Tex narrow beam



- 3132 Tex wide beam



- 3131 Tex medium beam



- 3132 Tex wide beam



- 3132 Tex wide beam



- 3131 Tex medium beam



- 3134 Tex - LED



- 3131 Tex medium beam

The reported luminous flux is the flux emitted by the light source with a tolerance of $\pm 10\%$ compared to the indicated value. The W tot column indicates the total wattage absorbed by the system without exceeding 10% of the indicated