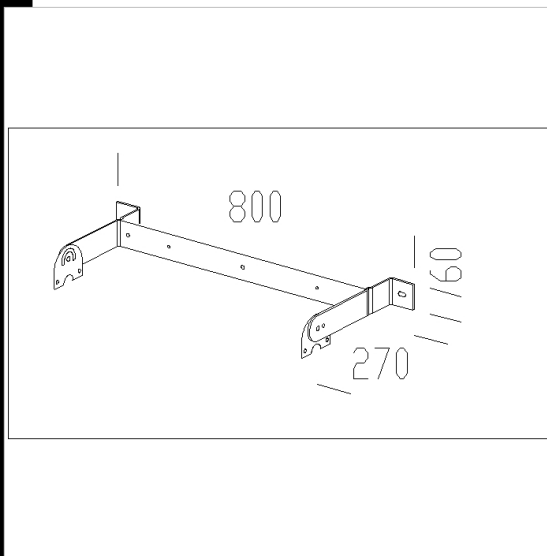


127 bracket

Download

- DXF 2D
- 127.dxf
- Montaggi
- acc_127.pdf



Code	Kg	WTot	Colour
998079-00	5,70	0 W	STAINLESS STEEL

Prodotti



- 998 Eterna -stainless



- 1992 Gallery - 1 lamp FS



- 1993 Gallery - 1 lamp wide



- 990 Steel T8 - steel+glass



- 992 Eterna T8 - stainless steel+glass



- 989 Eterna T8 - stainless steel+polycarbonate



- 1994 Gallery - 1 lamp street type



- 992 Eterna -T5 Diffusor in tempered glass



- 991 Steel T8 - steel+polycarbonate



- 991 Steel T5 - steel+polycarbonate



- 990 Steel T5 - steel+glass



- 989 Eterna T5 - stainless steel+polycarbonate

The reported luminous flux is the flux emitted by the light source with a tolerance of $\pm 10\%$ compared to the indicated value. The W tot column indicates the total wattage absorbed by the system without exceeding 10% of the indicated