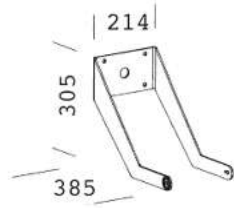


332 floodlight brackets

In aluminum pressofuso for the installation to wall, to earth or on pole with it affixed accessories to you.

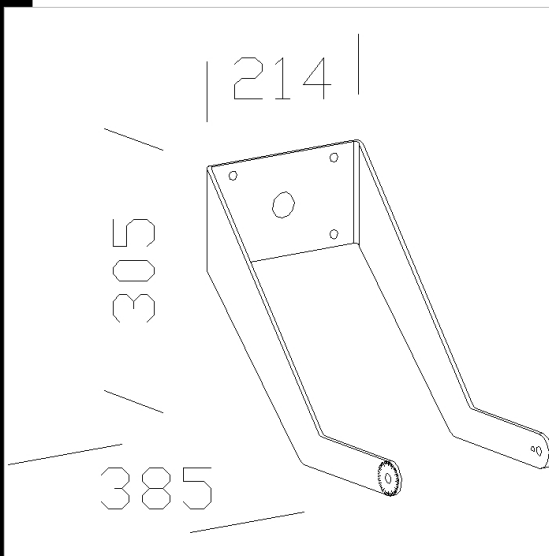


Download

DXF 2D
- 332.dxf

3DS
- disano_332.3ds

3DM
- disano_332.3dm



Code	Kg	WTot	Colour
998066-00	3.00	0 W	GREY9007
998067-00	3.00	0 W	GRAPHITE

Products



- 3130 Tex narrow beam



- 3132 Tex wide beam



- 3131 Tex medium beam



- 3132 Tex wide beam



- 3132 Tex wide beam



- 3131 Tex medium beam



- 3134 Tex - LED



- 3131 Tex medium beam

The reported luminous flux is the flux emitted by the light source with a tolerance of $\pm 10\%$ compared to the indicated value. The W tot column indicates the total wattage absorbed by the system without exceeding 10% of the indicated