



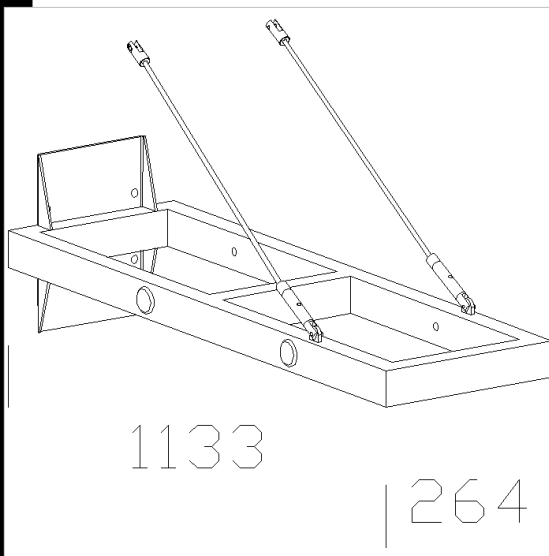
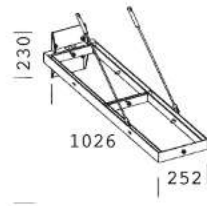
3° IP
IK

Download

- DXF 2D
- 331.dxf
- 3DS
- disano_331.3ds
- 3DM
- disano_331.3dm

331 Double chassis

In tropicalizzato steel. For the installation of a wall floodlight with accessory 352 or on pole.



Code	Kg	WTot	Colour
998065-00	8.00	0 W	GRAPHITE
998064-00	8.00	0 W	GREY9007

Products



- 3130 Tex narrow beam



- 3132 Tex wide beam



- 3131 Tex medium beam



- 3132 Tex wide beam



- 3132 Tex wide beam



- 3131 Tex medium beam



- 3134 Tex - LED



- 3131 Tex medium beam

The reported luminous flux is the flux emitted by the light source with a tolerance of $\pm 10\%$ compared to the indicated value. The W tot column indicates the total wattage absorbed by the system without exceeding 10% of the indicated