

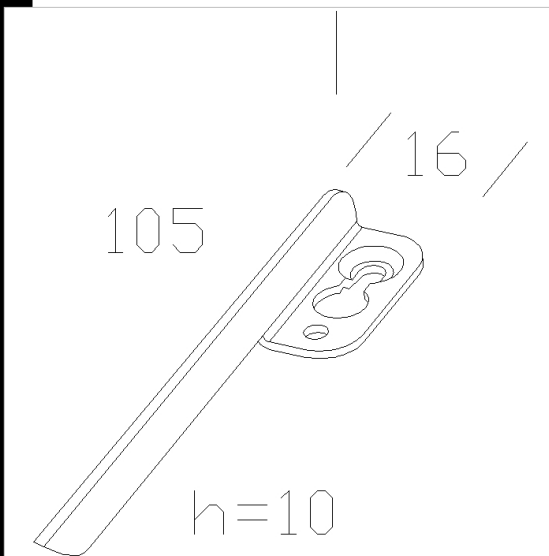


Download

DXF 2D
- 326.dxf

326 Stirrup

In galvanized steel. Set of 4 pieces to use in the case article 851 does not come installed in support.



Code	Kg	WTot	Colour
998059-00	0.16	0 W	GALVANIZED

Products



- 850 Minicomfort T5 high-gloss



- 853 Minicomfort T5 high-gloss



- 841 Minicomfort LED x4 -



- 841 Minicomfort LED x3 -



- 841 Minicomfort LED x2 - UGR<16



- 841 Minicomfort LED R - UGR<16

The reported luminous flux is the flux emitted by the light source with a tolerance of $\pm 10\%$ compared to the indicated value. The W tot column indicates the total wattage absorbed by the system without exceeding 10% of the indicated