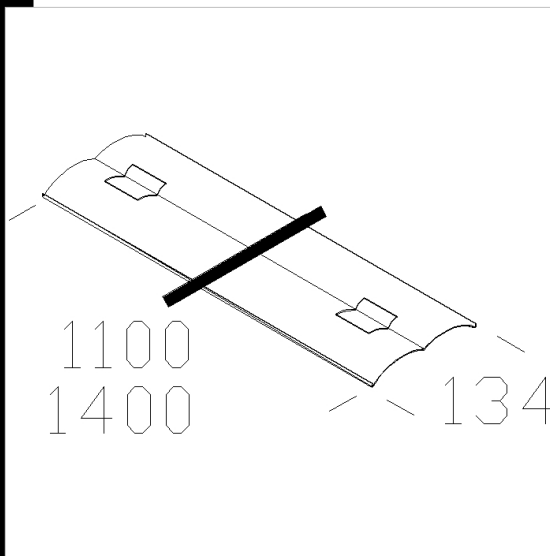
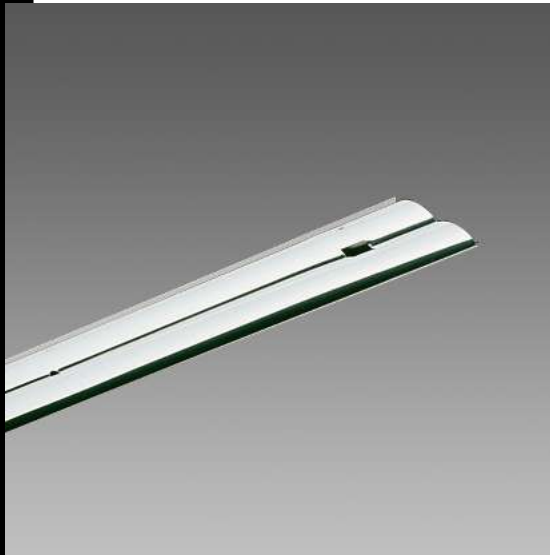


942 2-l-wide-beam reflector

The wide-beam reflector is in high gloss aluminium. To be installed together with the white reflector which is standard in the housing.
For the article 920 391 922 923 924 925 926 958 959 960 use the codes 998054 998055



Code	Kg	Lumen-K-CRI	WTot
998055-00	0,30	FL 2x58/49---	0 W
998054-00	0,32	FL 2x36/28---	0 W

Prodotti



- 921 Hydro ATEX protection



- 921 Hydro T8 EL



- 959 Hydro - connector plug



- 921 Hydro T5



- 960 Hydro T5 - connector plug

Download

DXF 2D
- d942.dxf

The reported luminous flux is the flux emitted by the light source with a tolerance of $\pm 10\%$ compared to the indicated value. The W tot column indicates the total wattage absorbed by the system without exceeding 10% of the indicated