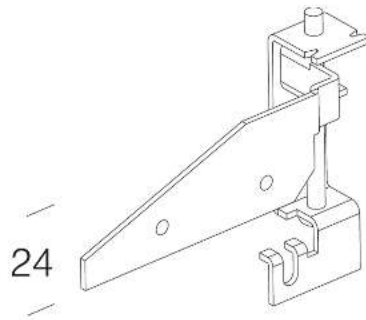


901 adjustable bracket

In galvanised steel. Set of 4 pieces to be used when comfort fixtures are installed with other than contact mounting.

Download



Code	Kg	WTot	Colour
998026-00	0,19	0 W	GALVANIZED

Prodotti



- 826 Comfort T8 - frosted



- 814 Comfort - prismatic diffuser



- 874 Comfort T8 - high-gloss



- 873 Comfort T8 - high-gloss



- 873 Comfort T5 - high-gloss
99.99



- 825 Comfort T8 - opal diffuser



- 873 Comfort LED - UGR<19

The reported luminous flux is the flux emitted by the light source with a tolerance of $\pm 10\%$ compared to the indicated value. The W tot column indicates the total wattage absorbed by the system without exceeding 10% of the indicated