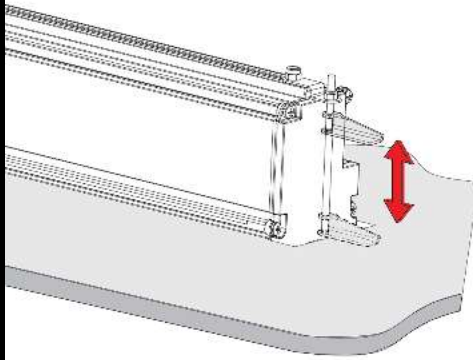


905 bracket

Support for ceiling mounting



Download

Code	Kg	WTot	Colour
998013-00	0,08	0 W	GALVANIZED

Prodotti



- 1836 Sicura - FS symmetric



- 1838 Sicura - asymmetric LED



- 1837 Sicura - elliptical LED



- 1740 Sicura inox - symmetric



- 1748 Sicura - wide beam LED

The reported luminous flux is the flux emitted by the light source with a tolerance of $\pm 10\%$ compared to the indicated value. The W tot column indicates the total wattage absorbed by the system without exceeding 10% of the indicated