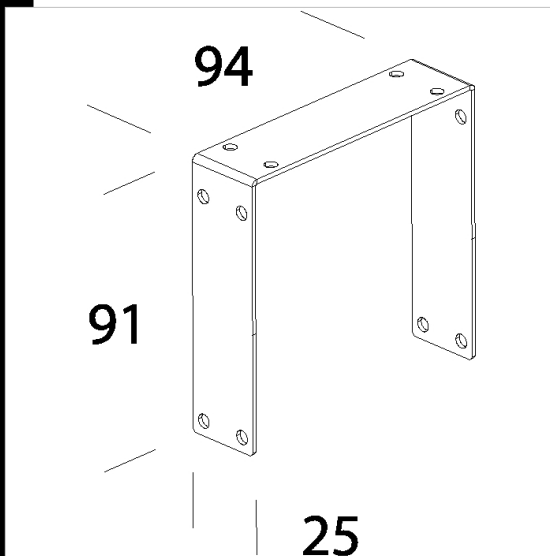
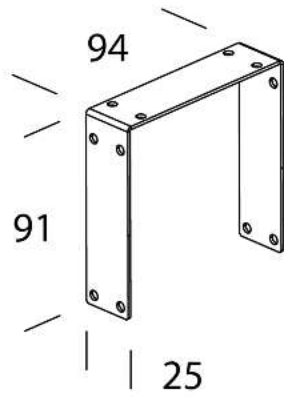




200 for solid line

To be used when the lighting system is installed in continuous row.



Code	Kg	WTot	Colour
998011-00	0.19	0 W	GALVANIZED

Products



- 849 Supercomfort - asymmetric



- 847 Supercomfort T5 - high



- 848 Supercomfort



- 848 Supercomfort T5 - with

The reported luminous flux is the flux emitted by the light source with a tolerance of $\pm 10\%$ compared to the indicated value. The W tot column indicates the total wattage absorbed by the system without exceeding 10% of the indicated