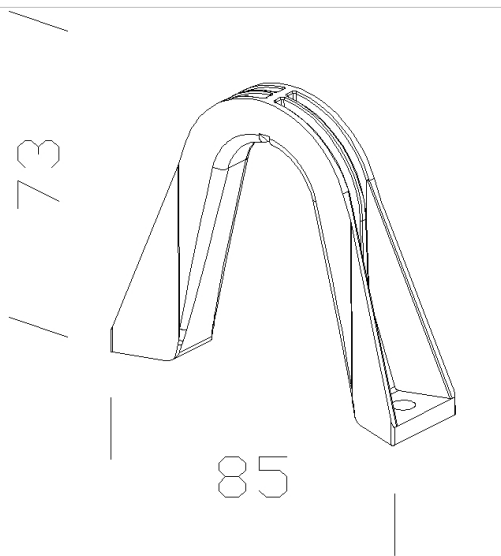
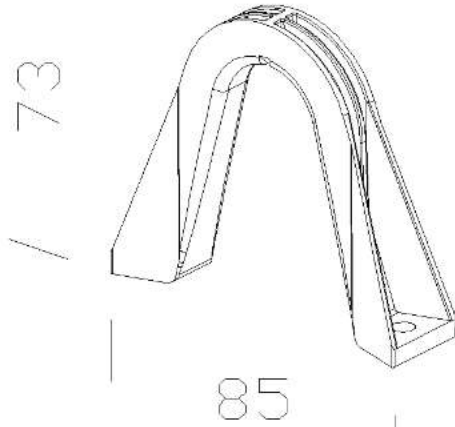




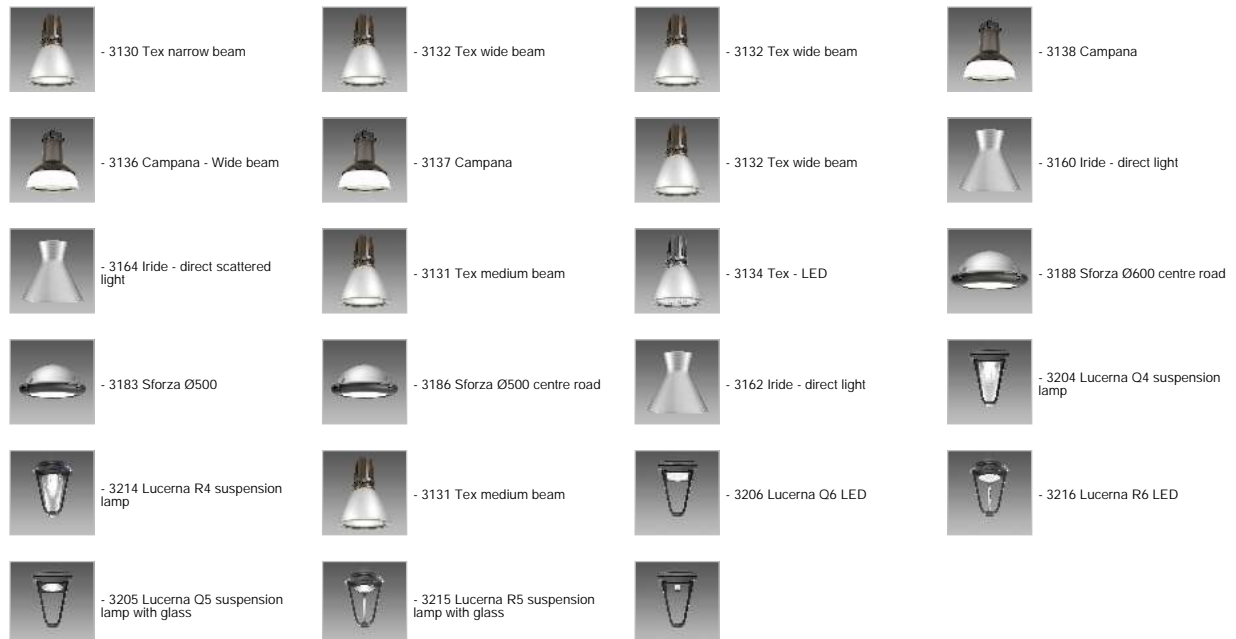
329 suspension mounting

Made of aluminium. This article must always be purchased for suspension mounting for art. Tex/Ghostex.



Code	Kg	WTot	Colour
998003-00	0.11	0 W	ANTHRACITE
998060-00	0.04	0 W	GREY9007
998061-00	0.04	0 W	GRAPHITE

Products



The reported luminous flux is the flux emitted by the light source with a tolerance of ± 10% compared to the indicated value. The W tot column indicates the total wattage absorbed by the system without exceeding 10% of the indicated