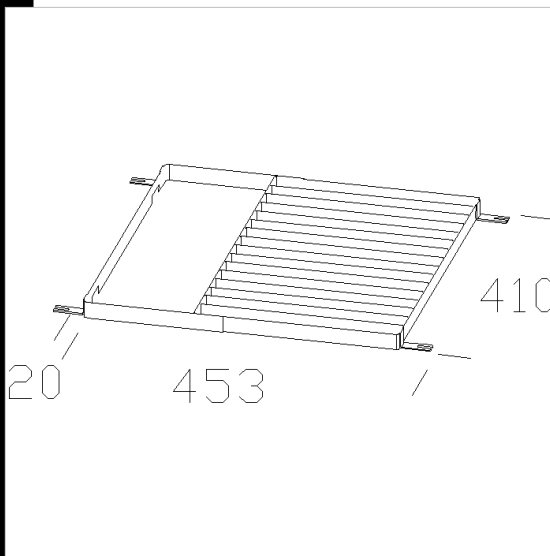
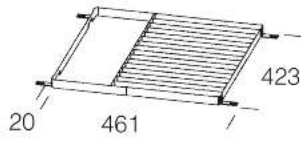


Download

DXF 2D
- 404.dxf



Code	Kg	WTot	Colour
997924-00	0.54	0 W	BLACK

Products



- 1803 Rodio 3 asymmetric



- 1804 Rodio 3 symmetric

The reported luminous flux is the flux emitted by the light source with a tolerance of $\pm 10\%$ compared to the indicated value. The W tot column indicates the total wattage absorbed by the system without exceeding 10% of the indicated