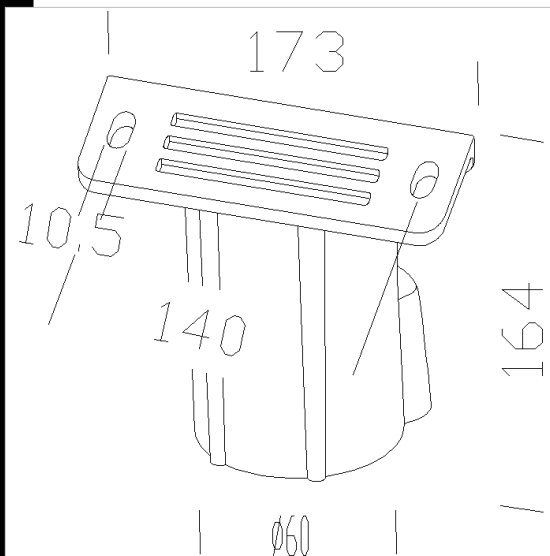
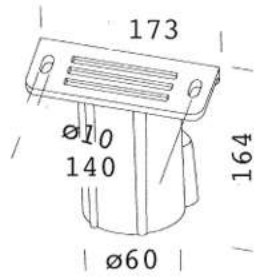


In aluminum. The installation concurs on pole from 60

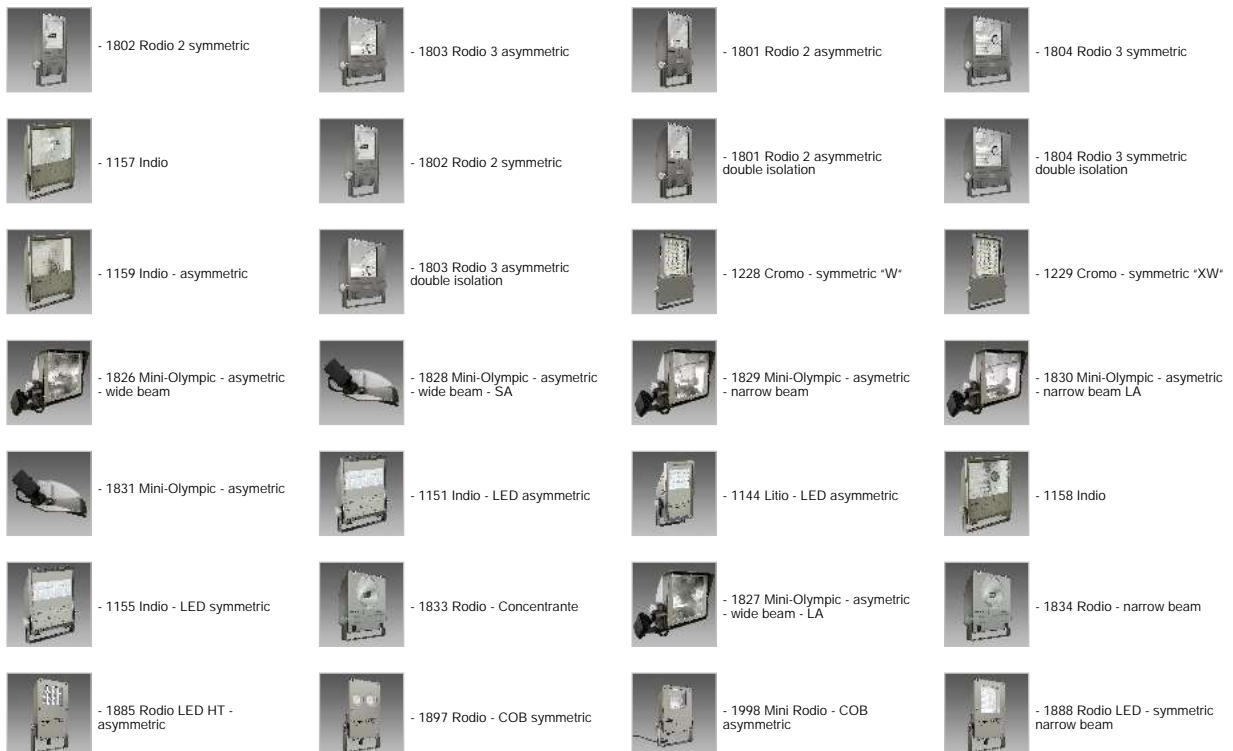


Download

DXF 2D
- 333.dxf

Code	Kg	WTot	Colour
997915-00	1.16	0 W	GRAPHITE

Products



The reported luminous flux is the flux emitted by the light source with a tolerance of ± 10% compared to the indicated value. The W tot column indicates the total wattage absorbed by the system without exceeding 10% of the indicated

Products



- 1891 Rodio LED - symmetric wide beam



- 1890 Rodio LED - symmetric wide beam



- 1887 Rodio LED - asymmetric



- 1889 Rodio LED HT - symmetric wide beam



- 1892 Rodio LED - street type



- 1886 Rodio LED HT - symmetric narrow beam



- 1893 Rodio LED - asymmetric 45°



- 1894 Rodio LED - asymmetric 60°



- 1898 Rodio - COB asymmetric



- 1990 Mini Rodio - symmetric wide beam



- 1999 Mini Rodio - COB symmetric



- 1988 Mini Rodio - symmetric narrow beam



- 1991 Mini Rodio - symmetric wide beam



- 1987 Mini Rodio - asymmetric



- 1224 Cromo - asymmetric narrow beam



- 1225 Cromo - asymmetric wide beam



- 1226 Cromo - symmetric *MS*



- 1227 Cromo - symmetric *M*

The reported luminous flux is the flux emitted by the light source with a tolerance of $\pm 10\%$ compared to the indicated value. The W tot column indicates the total wattage absorbed by the system without exceeding 10% of the indicated