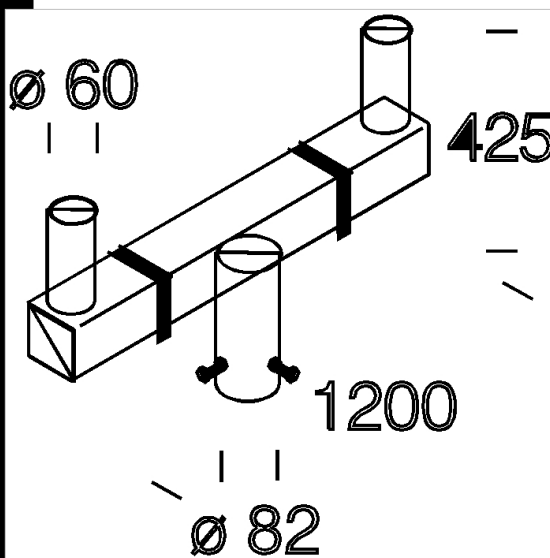
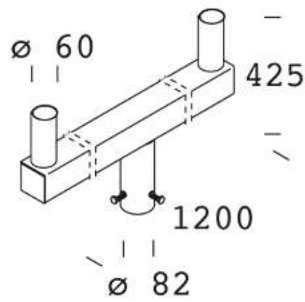


74 double pole mount

In painted hot-dip galvanized steel.
Used for pole mounting of two fixtures.
Socket \varnothing 60/76.

Download

DXF 2D
- d74.dxf



Code	Kg	WTot	Colour
997911-00	7,00	0 W	BLACK

Prodotti



- 1152 Tonale 1 - Glass diffuser



- 1652 Giovi



- For roads, shop-lined and



- 1654 Giovi bike trails

The reported luminous flux is the flux emitted by the light source with a tolerance of \pm 10% compared to the indicated value. The W tot column indicates the total wattage absorbed by the system without exceeding 10% of the indicated