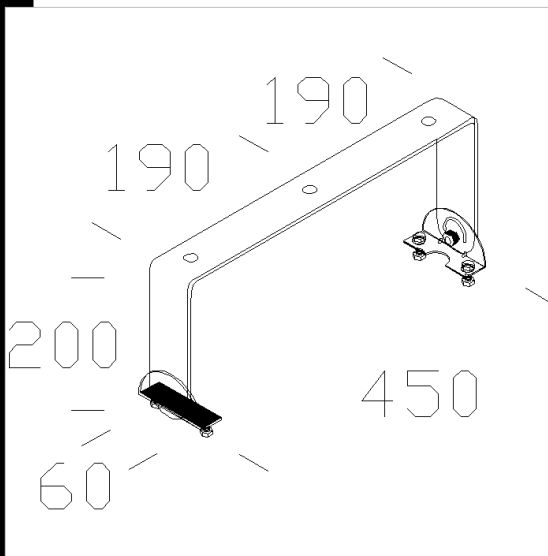
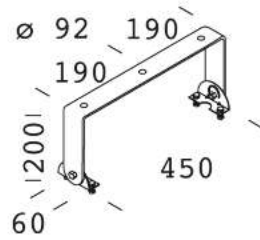


92 pivoting mounting bracket

In stainless steel painted by epoxy cationic electrocoating. For 90° fixture rotation. With protactor scale.

Download

DXF 2D
- d92.dxf



Code	Kg	WTot	Colour
997906-00	2.00	0 W	GREY9007

Products



- 1165 Radon - fluorescent



- 1167 Radon 150-250W



- 1167 Radon - CNR 1000W



- 1166 Radon - Fluorescent



- 1167 Radon



- 1167 Radon - S 1000W

The reported luminous flux is the flux emitted by the light source with a tolerance of $\pm 10\%$ compared to the indicated value. The W tot column indicates the total wattage absorbed by the system without exceeding 10% of the indicated