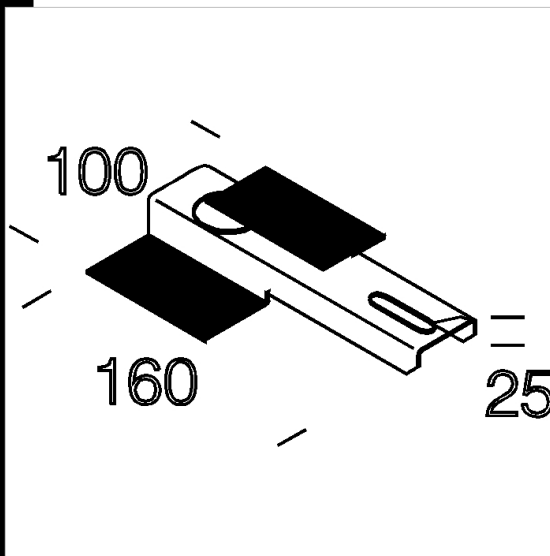
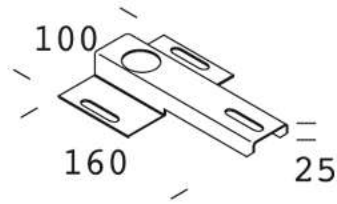


91 fixed mounting bracket

In stainless steel. Complete with steel screws. Used for fixed mounting directly on ceiling or wall.

Download

DXF 2D  
- d91.dxf



Code	Kg	WTot	Colour
997905-00	0.38	0 W	INOX

Products



- 1165 Radon - fluorescent



- 1167 Radon 150-250W



- 1167 Radon - CNR 1000W



- 1166 Radon - Fluorescent



- 1167 Radon



- 1167 Radon - S 1000W

The reported luminous flux is the flux emitted by the light source with a tolerance of  $\pm 10\%$  compared to the indicated value. The W tot column indicates the total wattage absorbed by the system without exceeding 10% of the indicated