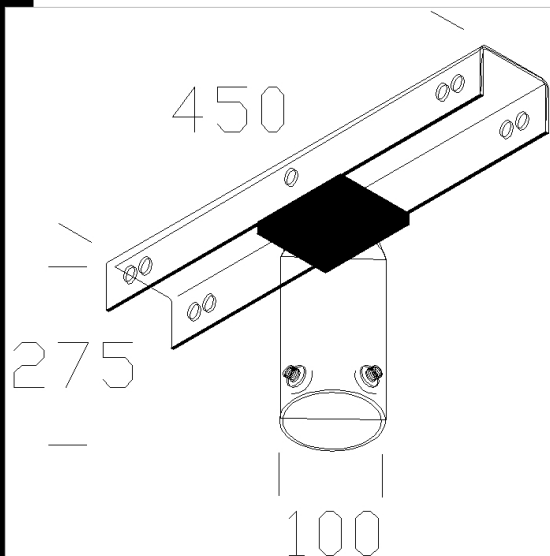
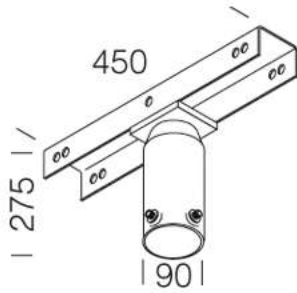




59 pole bracket

Pole mounting bracket for 1 o 2 opposed floodlights. For Ø 60/76 mm poles.



Code	Kg	WTot	Colour
997900-00	1.90	0 W	GALVANIZED

Products



- 1129 Cromo - asymmetric



- 1129 Cromo



- 1826 Mini-Olympic - asymmetric



- 1828 Mini-Olympic - asymmetric



- 1829 Mini-Olympic - asymmetric
- narrow beam



- 1830 Mini-Olympic - asymmetric
- narrow beam LA



- 1831 Mini-Olympic - asymmetric
- narrow beam SA



- 1827 Mini-Olympic - asymmetric
- wide beam - LA

The reported luminous flux is the flux emitted by the light source with a tolerance of ± 10% compared to the indicated value. The W tot column indicates the total wattage absorbed by the system without exceeding 10% of the indicated