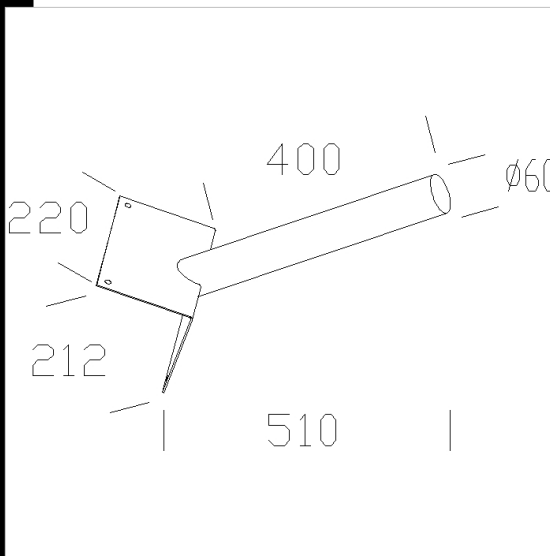
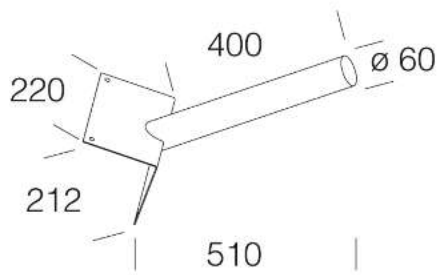


Download

DXF 2D
- 249.dxf



Code	Kg	WTot	Colour
997803-00	1,90	0 W	GREY

Prodotti



- 1664 Ghisallo



- 1665 Ghisallo

The reported luminous flux is the flux emitted by the light source with a tolerance of $\pm 10\%$ compared to the indicated value. The W tot column indicates the total wattage absorbed by the system without exceeding 10% of the indicated