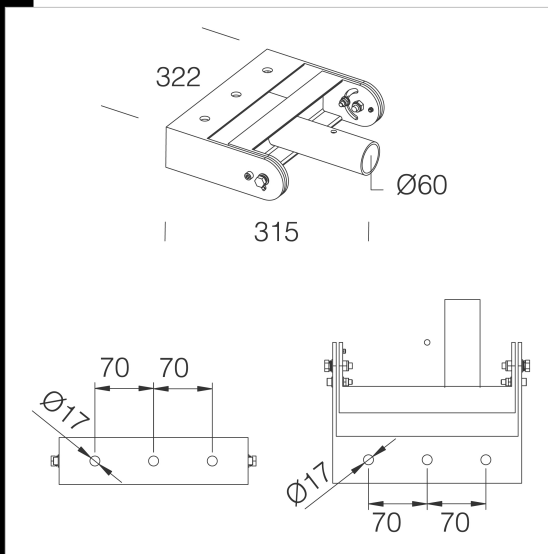
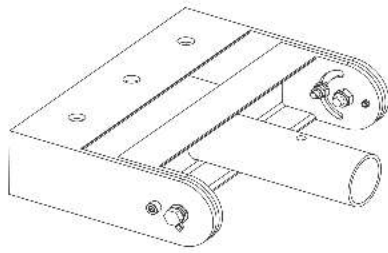


578 adjustable bracket

Adjustable bracket for wall mounting or for use on the towers.

Download

DXF 2D
- 578X.dxf



Code	Kg	WTot	Colour
997709-00	7,00	0 W	ANTHRACITE

Prodotti



- 3270 Stelvio 1 - Plus - LED



- 3273 Stelvio 1 - Plus S - LED



- 3274 Stelvio 2 - Plus - LED



- 3370 Stelvio - high



- 3374 Stelvio - high
performance - large areas

The reported luminous flux is the flux emitted by the light source with a tolerance of $\pm 10\%$ compared to the indicated value. The W tot column indicates the total wattage absorbed by the system without exceeding 10% of the indicated