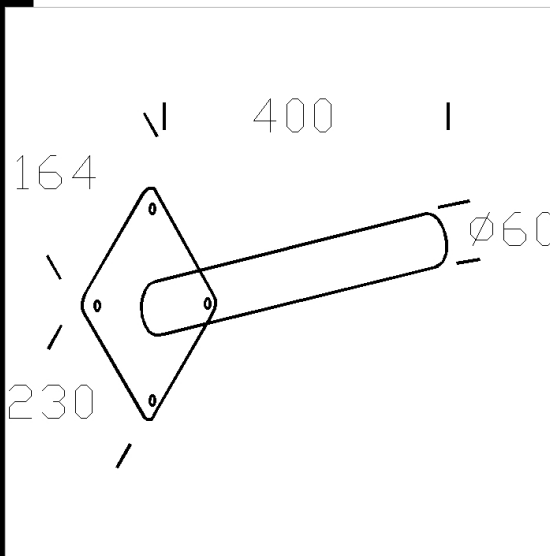
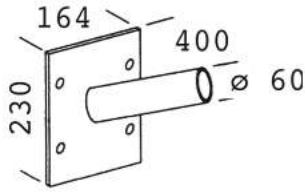




48 wall barcket

In tropicalized steel.
Used for wall mounting.
Connection Ø 60. 15°



Code	Kg	WTot	Colour
997706-00	0.30	0 W	GREY

Posts



- 1491 poles to be sunk into the



- 1493 pole with base

Products



- 1751 Metropolis narrow beam



- 1581 Volo - Street optic



- 1582 Volo - wide beam



- 1572 Volo Bike rails



- 1580 Volo - asymmetric



- 1752 Metropolis wide beam



- 1152 Tonale 1 - Glass diffuser



- 1652 Giovi



- 1654 Giovi bike trails



- 1753 Metropolis bike trails



- 1573 Volo LED wide beam



- 1593 Volo LED - bike trails



- 1750 Metropolis



- 1809 Olympic



- For roads, shop-lined and private - 1141 Sempione

The reported luminous flux is the flux emitted by the light source with a tolerance of ± 10% compared to the indicated value. The W tot column indicates the total wattage absorbed by the system without exceeding 10% of the indicated