

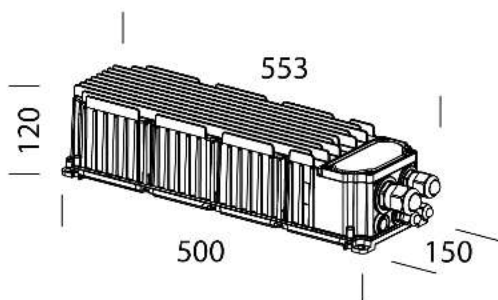


Download

Montaggi
- Type 3 - Driver IP66 DMXRDM 10-18.pdf

Type 3 - Driver IP66 DMX/RDM

• complete with quick connector • ambient temperature: -40°C + 45°C • input voltage AC: 220-400V • frequency: 50/60Hz • power factor: 0.95 • low flicker 1% (typical) • output voltage: 700mA-1400mA • type of output: 3 independent channels • dimming protocol: DMX/RDM • dimming range: 0.4÷100% (10÷100% in width - 10÷0.4% in PWM)



Code	Gear	Kg	Lumen-K-CRI	WTot	Colour
997673-00001041	CLD CELL	6,40	1200mA---	0 W	GREY
997673-00301041	CLD CELL	6,40	1300mA--	0 W	GREY

Prodotti



- 3196 Forum LED - 3



- 3198 Forum LED - 3



- 3192 Forum LED - 3



- 3195 Forum LED - 3



- 3231 Forum LED - 3
MODULES - symmetric M



- 3230 Forum LED - 3
MODULES - symmetric MS



- 3232 Forum LED - 3
MODULES - symmetric XW



- 3194 Forum LED - 3
MODULES - asymmetric 60°

The reported luminous flux is the flux emitted by the light source with a tolerance of ± 10% compared to the indicated value. The W tot column indicates the total wattage absorbed by the system without exceeding 10% of the indicated