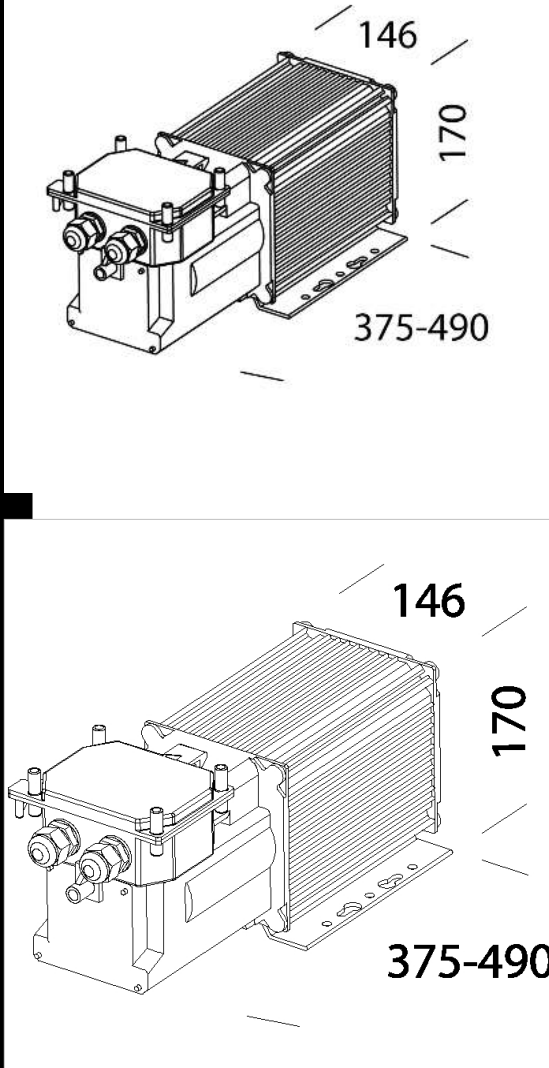


Aluminium box. Contents: ballast and capacitor.



**Download**

- DXF 2D  
- 1176i.dxf
- Montaggi  
- 1176.pdf



Code	Gear	Kg	Lumen-K-CRI	WTot	Base	Colour
997673-00	CNR	16.00	JM-TS 2000---	103 W	By wire	GREY
997670-00	CNR	11.00	JM-T/SAP-T 2x400---	0 W	E40	GREY
997674-00	CNR	11.60	JM-T/TS/SAP-T 1000---	70 W		GREY
997671-00	CNR	11.60	JM-T/TS/SAP-T 1000---	70 W		GREY

**Products**



The reported luminous flux is the flux emitted by the light source with a tolerance of  $\pm 10\%$  compared to the indicated value. The W tot column indicates the total wattage absorbed by the system without exceeding 10% of the indicated

Products



- 1186 Forum - XL indoor High Performance



- 1809 Olympic



- 1827 Mini-Olympic - asymmetric wide beam - LA



- 1808 Olympic - asymmetric



- 1186 Forum - FL High Performance

The reported luminous flux is the flux emitted by the light source with a tolerance of  $\pm 10\%$  compared to the indicated value. The W tot column indicates the total wattage absorbed by the system without exceeding 10% of the indicated