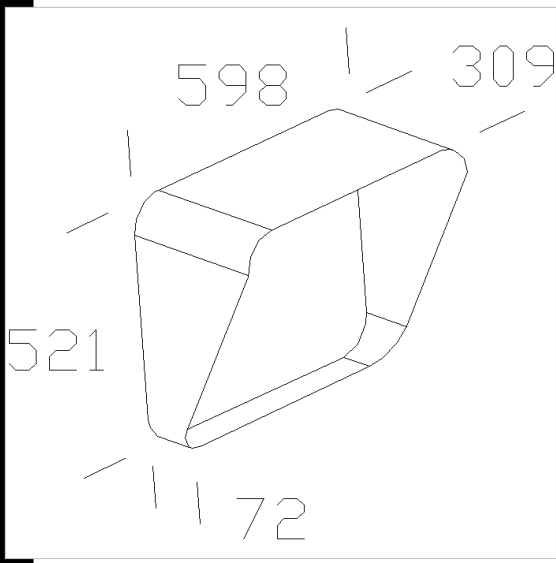
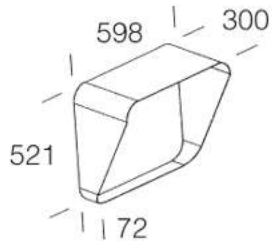


317 conveyor

Made of steel. Used for conveying the light beam in a single direction.



Download
DXF 2D
- 317.dxf

Code	Kg	WTot
995766-00	0.34	0 W

Products



- 1746 Area - AS



- 1744 Area - FM



- 1745 Area - FL



- 1743 Area - FS

The reported luminous flux is the flux emitted by the light source with a tolerance of $\pm 10\%$ compared to the indicated value. The W tot column indicates the total wattage absorbed by the system without exceeding 10% of the indicated