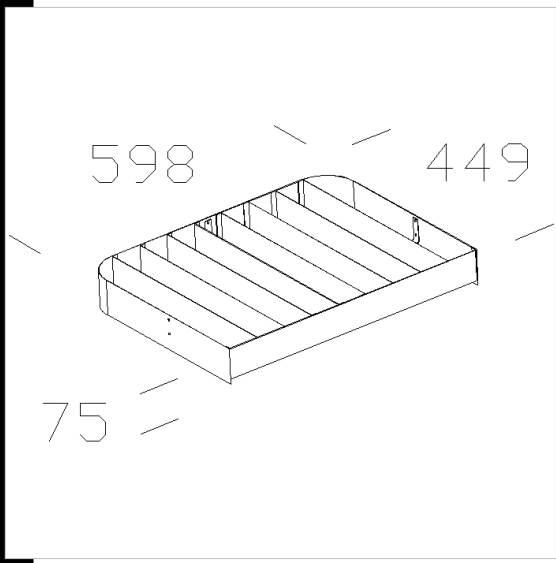
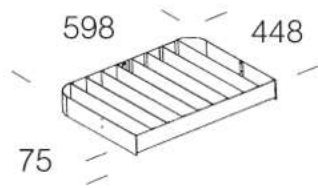


319 baffle louvre Area as.

In steel, cationic electrocoating.  
Used to reduce glare and better direct the light beam.

Download

DXF 2D  
- 319.dxf



Code	Kg	WTot	Colour
995765-00	0.48	0 W	STAINLESS STEEL

Products



- 1743 Area - FS



- 1746 Area - AS



- 1744 Area - FM



- 1745 Area - FL



- 1749 Area - AS 65°

The reported luminous flux is the flux emitted by the light source with a tolerance of ± 10% compared to the indicated value. The W tot column indicates the total wattage absorbed by the system without exceeding 10% of the indicated