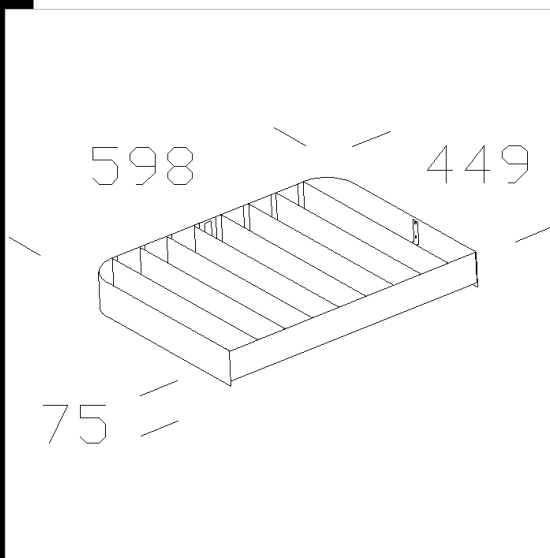
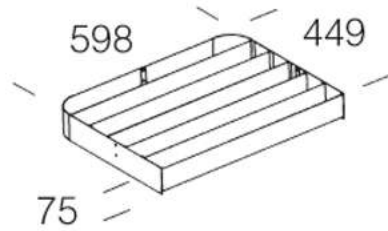


318 baffle louvre

In steel, cationic electrocoating.
Used to reduce glare and better direct the light beam.



Code	Kg	WTot	Colour
995762-00	0.52	0 W	SANDBLASTED SILVER
995767-00	4.89	0 W	

Products



- 1744 Area - FM



- 1745 Area - FL



- 1743 Area - FS

The reported luminous flux is the flux emitted by the light source with a tolerance of $\pm 10\%$ compared to the indicated value. The W tot column indicates the total wattage absorbed by the system without exceeding 10% of the indicated