



3° IP
IK

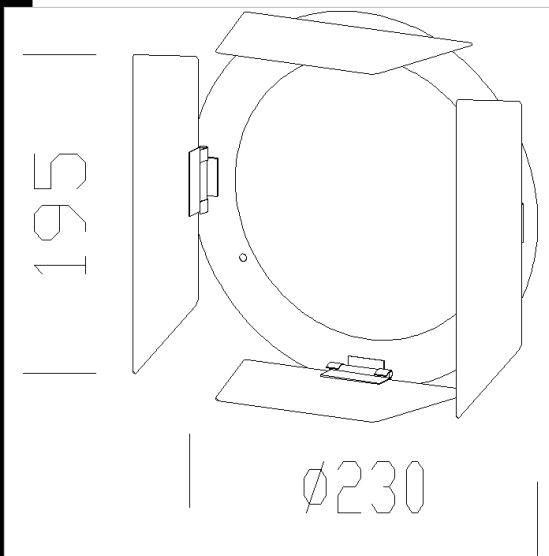
Download

DXF 2D
- acc_193_elfo.dxf



193 four-sided shutter

Made of powder-coated steel. To direct the light beam.



Code	Kg	WTot	Colour
995756-00	0.47	0 W	BLACK

Products



- 1527 Elfo 150W wide beam



- 1528 Elfo 150W narrow beam

The reported luminous flux is the flux emitted by the light source with a tolerance of ± 10% compared to the indicated value. The W tot column indicates the total wattage absorbed by the system without exceeding 10% of the indicated