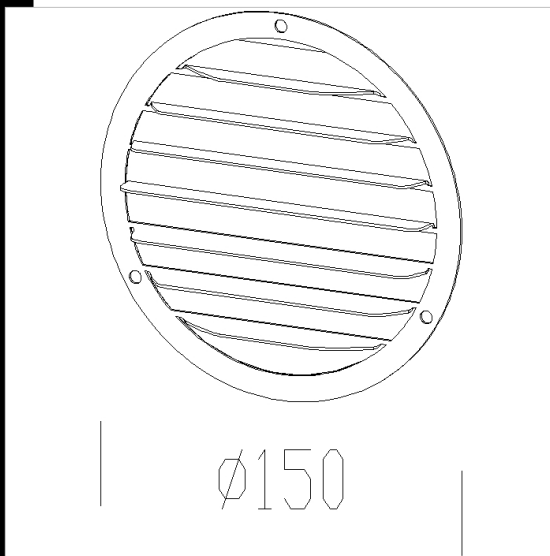


190 baffle louvre

En acier. Permet de réduire les effets de l'éblouissement et de mieux diriger le faisceau lumineux.



| ø 150 |



| ø150 |

Code	Kg	WTot	Colour
995753-00	0,10	0 W	BLACK

Prodotti



- 1524 Elfo 35/70W wide beam



- 1523 Elfo with rod



- 1521 Elfo for Pegaso CDM-T70



- 1525 Elfo 35/70W narrow

The reported luminous flux is the flux emitted by the light source with a tolerance of ± 10% compared to the indicated value. The W tot column indicates the total wattage absorbed by the system without exceeding 10% of the indicated