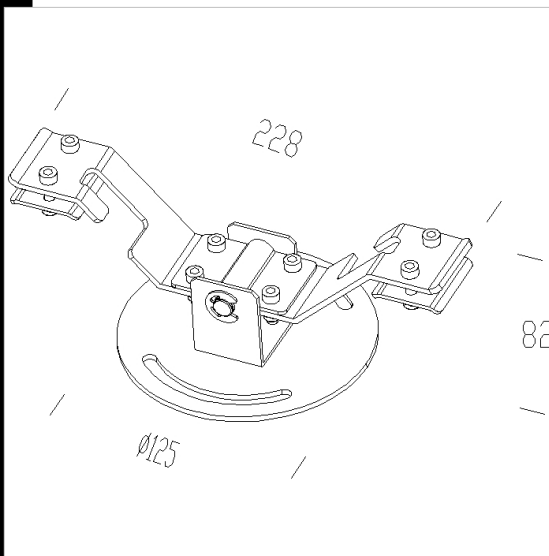
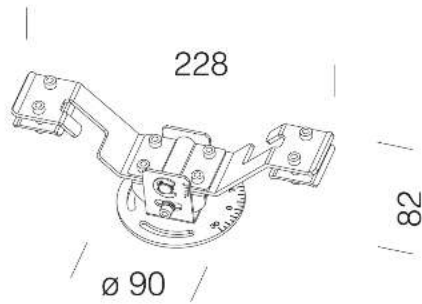


Download

DXF 2D
- 56.dxf



Code	Kg	WTot	Colour
995727-00	0,06	0 W	STAINLESS STEEL

Prodotti



- 3138 Campana



- 3136 Campana - Wide beam



- 3137 Campana



- 3142 Campana LED



- 3135 Campana



- 3141 Campana LED



- 3332 Disco 3 - LED - centre road



- 3146 Campana LED

The reported luminous flux is the flux emitted by the light source with a tolerance of $\pm 10\%$ compared to the indicated value. The W tot column indicates the total wattage absorbed by the system without exceeding 10% of the indicated