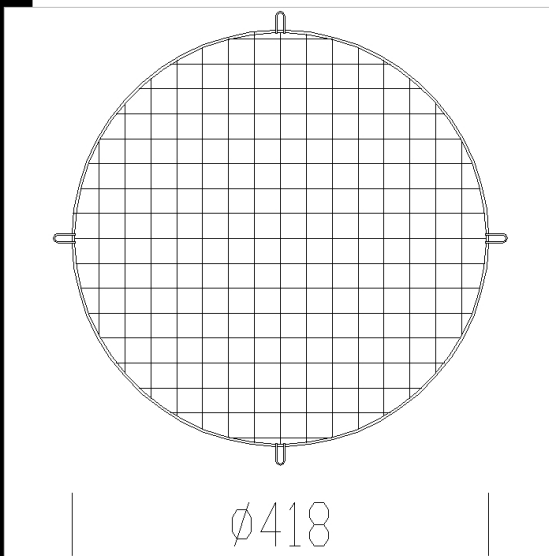
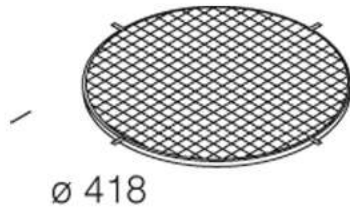




111 Protective guard

In zinc plated steel wire, cationic electrocoating. For protection against impact. Can be used with acc. 112.



Code	Kg	WTot	Colour
995723-00	0.37	0 W	BLACK

Products



The reported luminous flux is the flux emitted by the light source with a tolerance of ± 10% compared to the indicated value. The W tot column indicates the total wattage absorbed by the system without exceeding 10% of the indicated